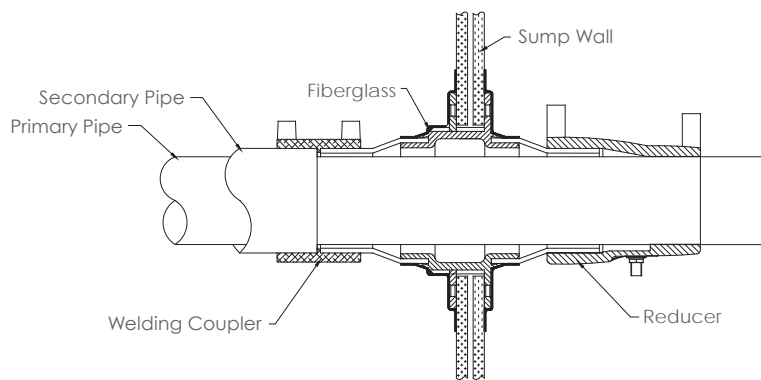
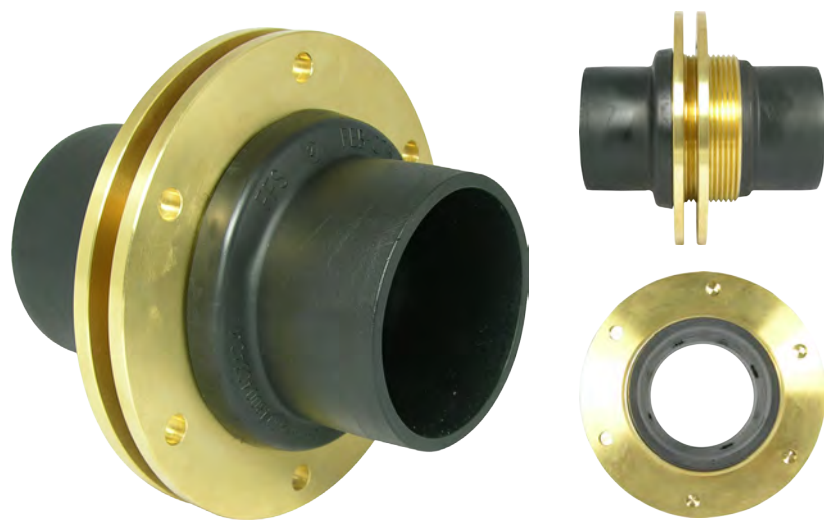


Highlights

- Available in a 2" model for use with UPP™ brand secondary contained pipework systems.
- Suitable for use on both single and double wall containment sumps as well as flat or curved sump surfaces.
- Allows for electrofusion welding of secondary contained pipework directly to boot.
- Eliminates exposed metal on the outside of the sump wall.

# Electrofusion Fiberglass Entry Boot

UPP™ brand electrofusion fiberglass entry boots allow you to seamlessly connect UPP™ brand double wall semi-rigid pipework systems to fiberglass containment sumps. The boot features a continuous polyethylene sleeve which bonds directly to the secondary pipe layer both inside and outside of the containment sump. This sleeve is over-molded onto a bronze center section with multiple dove tail grooves tying the two materials together to create a robust watertight joint. The boot's bronze flanges are bonded and covered with fiberglass creating a solid bond between the boot and the sump walls. After proper installation, the boot essentially becomes one with the sump and pipework system with zero leak paths. The boot is fully vacuum and pressure testable to ensure a watertight containment sump.



## Ordering Information

Model	Description
FEB-075-M	2" electrofusion fiberglass entry boot for use with 2" secondary contained pipework systems

Additional boot sizes available with different design. Consult factory for details.

